



DAQUAS



Microsoft

SQL Server - Execution Plans

Robert Haken

MVP ASP.NET/IIS | MCT

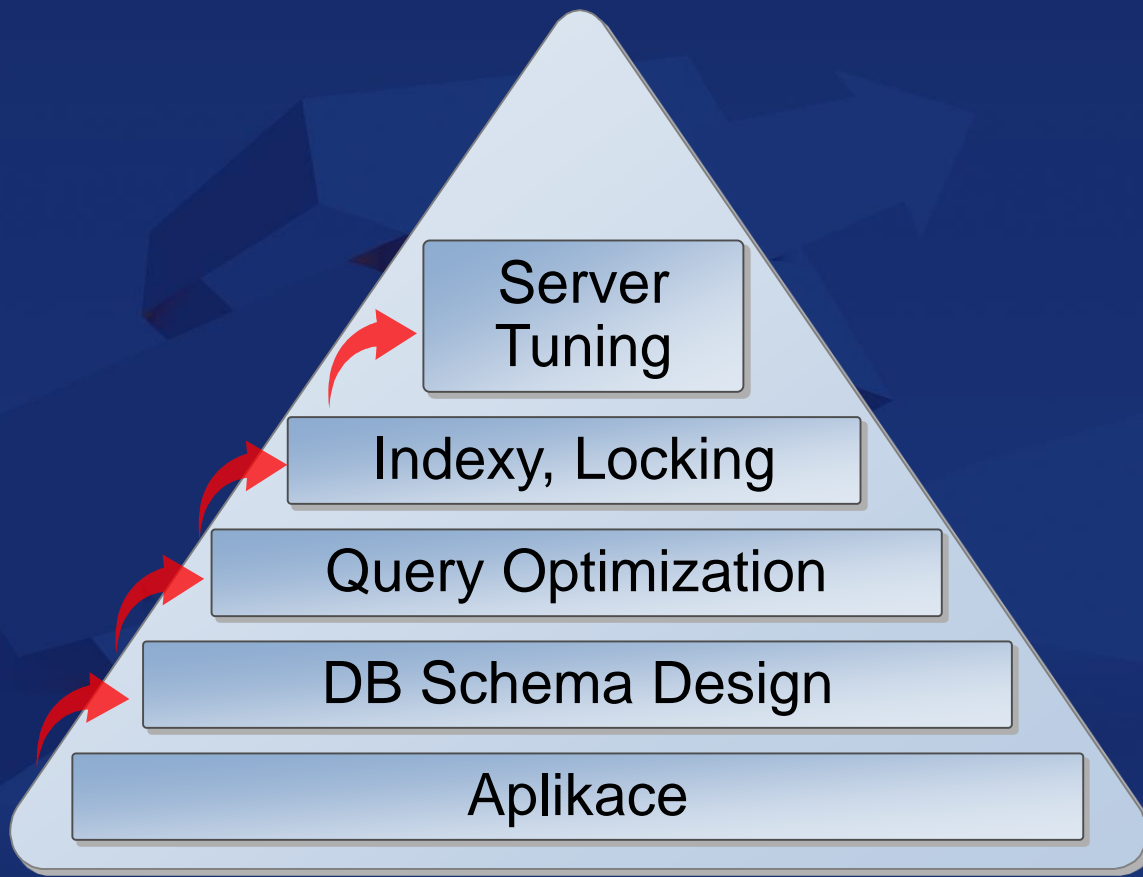
Twitter: @RobertHaken

E-mail: haken@havit.cz

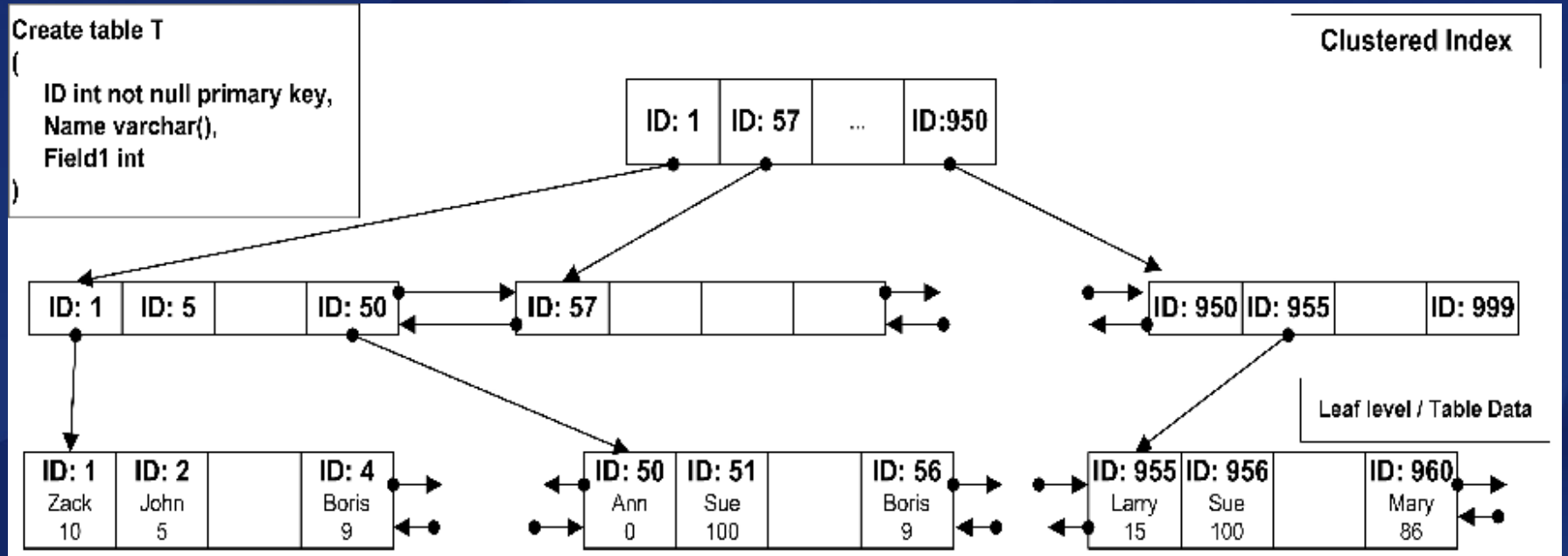
20. – 23. května 2014

Tech·Ed
DevCon 

PRAHA 2014



Clustered Index



Non-Clustered Index

Create index IDX_T_Name
on T(Name)

